

# FAIRBANKS<sup>®</sup>

## S C A L E S



# FB1200

## INDUSTRIAL SCALE INSTRUMENT

Durable instrument for industrial weighing applications with analog floor scales, bench scales, livestock scales, and weighing assemblies. NTEP approved and available in a NEMA 4X or NEMA 4 enclosure.

# FB1200

## INDUSTRIAL SCALE INSTRUMENT

The not so basic instrument, for basic weighing applications.

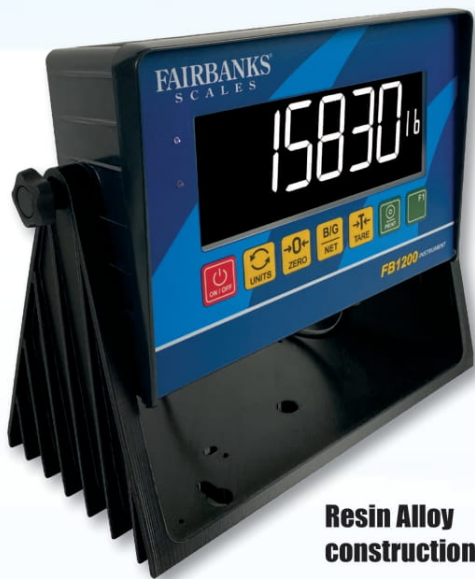
### Ideal Fit for Industrial Manufacturing and Logistics Operations

Fairbanks Scales FB1200 is a flexible, economical solution for industrial weighing applications. With a range of features and multiple communication options, the FB1200 can fulfill a variety of customer needs at a highly competitive price. Among basic instruments on today's market, the FB1200 is unique in that it has a number of "beyond basic" functions and features, including digital inputs and outputs that simplify its integration with other aspects of an operation, such as a PLC.

The FB1200 has competitive features, ideal for customers who:

- Need to view or print Gross Weights.
- Need to stream weight to a PC over a serial port.
- Use Piece Counting and Accumulation for inventory control.
- Use Checkweighing for quality control.
- Use Peak Hold for stress testing materials.

### Enclosure Types



**Resin Alloy construction**

The FB1200 NEMA 4 resin alloy enclosure is resistant to dust and water ingress and can stand up to the rigors of modern factory or warehouse operations.



**Stainless Steel construction**

The FB1200 NEMA 4X stainless steel enclosure has additional corrosion protection features and is the obvious choice for environments that process caustic materials.

FB1200 Instruments run on AC, DC, or rechargeable battery power.

### Beyond Basic Features

- Compatible with any manufacturers' analog floor, bench or tank scales.
- Durable, quality construction and engineering at economic price.
- Features drop-and-drag interface for customizing printed tickets.
- NTEP and MC approved for legal-for-trade applications.



- Three-zone product checkweighing.
- Digital I/O for easy process integration.
- Use with or as a remote display.
- Desktop/wall mount bracket included.

### Beyond Basic Functions



#### PIECE COUNTING

The FB1200 piece counting function allows users to quickly manage inventory of materials, large or small. Weigh any quantity sample size and the FB1200 will automatically scale the quantity to additional weight.



#### ACCUMULATION

Accumulate multiple weighments by gross weight, net weight, or piece count, to manage inventory.



#### PEAK HOLD (STRESS TEST)

Use the FB1200 to "stress test" materials, holding the highest weight reached even after it is removed.



#### LIVESTOCK FILTER

The FB1200 livestock filter can find the weight of moving loads (such as cattle) by filtering the input and calculating a true weight.



## Function Keys Simplify Front Panel Operations

- 1 **ON/OFF** — One touch to power up or down.
- 2 **UNITS** — Six selectable units (lb, kg, oz, g, T, t) and one programmable unit for lb-oz or other custom measure. Units key also used with piece count and accumulation features.
- 3 **ZERO** — Quickly zero off weight on the scale.
- 4 **B/G / NET** — One-push selection from Gross weight to Net weight. Also used during accumulation and piece count operations and to set sleep timer.
- 5 **TARE** — Deducts container weight from the total weight.
- 6 **PRINT** — Custom or standard print formats. This key is also used to set clock format, time and date, and during Peak Hold operations.
- 7 **F1** — Additional application-specific functions are assigned to the F1 key.

## PC Utility

The FB1200 has an easy-to-use PC Utility designed with OEMs in mind, allowing rapid configuration and calibration processes. An optical communication port located on the front of the FB1200 allows for Utility connection without the need to open the enclosure. Changes made through the FB1200 Viewer are fast and take effect immediately, allowing for real time instrument configuration.



*Fairbanks' new PC Utility makes configuration and calibration processes easier than ever before.*

## Beyond Basic Customization Options

### CUSTOM TICKET FORMAT

A distinct ticket format can be configured to allow the FB1200 to print information that meets your requirements.

### CUSTOM UNITS

Many applications are unique and require a unique unit of measure. The FB1200 can accommodate.

### PROGRAMMABLE RS232 OUTPUT

The FB1200's RS232 Output can be configured to provide serial data in a customer specified format.

### MULTI-POINT CALIBRATION

The FB1200's Multi-point Calibration ability helps eliminate various linearity problems associated with platforms and tank applications.

# FB1200

## INDUSTRIAL SCALE INSTRUMENT

Weighing Solutions for the World since 1830

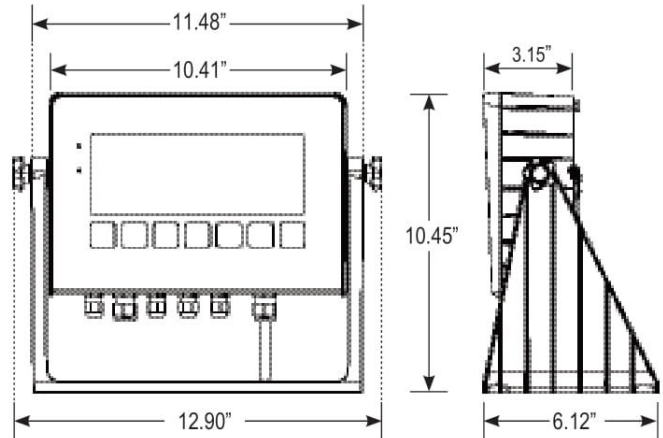
Fairbanks.com

### SPECIFICATIONS

Display	2.0" high, 6-digit, 9-segment, white LCD
Enclosure	Black resin alloy NEMA 4 rated Stainless steel, NEMA 4X rated
Pushbutton keys	Zero, Print, Units, Tare, On/Off, B/G Net, F1
Units	lb, kg, oz, g, lb-oz or custom, T, t
Capacity	Selectable 0 to 999,999
Graduation size	0.0001 to 100
Load cells	Up to eight 350Ω cells
Power requirements	Choice of AC, DC, or battery
Mounting	Desk / Wall mount stand (all models)
Output	COM1 (standard): RS232, 20 mA COM2 (standard): RS232, RS485
Remote switch inputs	Two (2), selectable
Digital outputs	Two (2)
Accessories	Battery
Approvals	NTEP CC# 20-097, MC #AM-6162C, ETL pending

### NEMA 4 RESIN ALLOY ENCLOSURE

(Resin alloy bracket included — Battery power optional)



### NEMA 4X STAINLESS STEEL ENCLOSURE

(Stainless steel bracket included — Battery power optional)

