



Intrinsically Safe NEMA 4X  
Stainless Steel indicator

47 ft AC adapter  
charging cord



EX Approval:  
Class 1 Division 1



Output power box that it  
can be used in hazardous  
area

Battery charging cord

Removable Battery  
So it can be charged in a  
safe environment

# OP-900B-EX EXPLOSION PROOF INDICATOR

The OP-900B-EX indicator is Intrinsically Safe for use in dangerous areas. It comes with a Stainless Steel NEMA 4X enclosure and two power options, a removable rechargeable battery or a power adapter with a 47 ft long charging cord. AC Power Module can be located in a safe or hazardous area. This indicators can also be powered by a battery pack in the hazardous area that attaches to the back of the indicator, for applications where access to power outlets are an issue. Removable battery allows for the ability to recharge the battery in a safe environment. OP-900B-EX has multiple weighing units as well as accumulation, counting, gross, tare, zero and multiple hold functions. There are 3 weighing modes, Gross, Count and Accumulation and it is NTEP approved for 5,000 divisions. This indicator is user friendly with an easy to read 1" tall ultra bright screen and is perfect for chemical or gaseous weighing applications.

## STANDARD FEATURES:

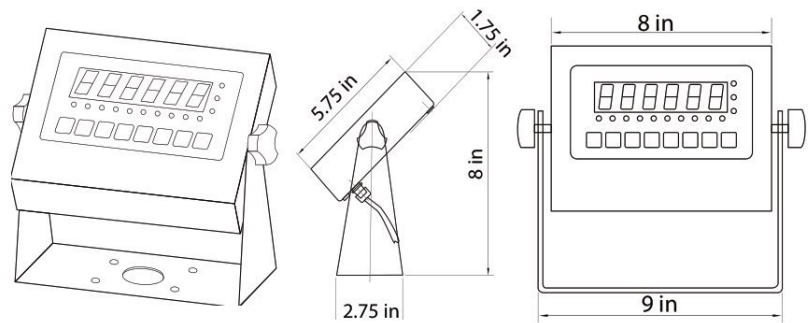
- EX Approval: Class 1 Division 1
- NEMA 4X Washdown enclosure
- Multiple weighing units: (lb/kg/g/oz/lb:oz)
- Gross/Tare/Pre-Set Tare/Zero
- Multiple Hold functions
- Count weighing
- Accumulation weighing
- Overload / Underload alarm
- Power saving mode
- Automatic date and time update
- Ability to modify gravity based on different geographical locations
- 100% manual zero range setting
- Automatic error warning alarm
- Splash proof keyboard and display
- Connects to a remote display
- Connects to multiple printers
- NTEP approved for 5,000 divisions
- Displays up to 50,000 graduations
- 1" LED or LCD display with backlight
- 47 ft cord for AC adapter
- Removable battery that can be charged in a safe environment
- Mounting bracket and Hardware (included)
- Full Duplex RS-232 Serial Port
- Drives up to 6 350Ω load cells
- 1 Year Warranty

## OPTIONAL FEATURES:

- Relay & Analog output
- Stainless Steel Stand
- Painted Mild Steel Stand
- I/O Card to control external system



## DIMENSIONS:



## SPECIFICATIONS:

Display	LCD 1.5 inch x 6-digit numeric
Units	lb, kg (primary); oz, g (secondary)
Accuracy Class	5000 e
Resolution	120,000 dd industrial; 10,000 dd HB44
Excitation Voltage	5V DC
Largest output current	120 mA
Excitation circuit	5 VDC, 4 wire connections
Load Cell	6 load cells of 350 Ω maximum
Load Cell Excitation	5 ± 0.5VDC
Display Resolution	30,000 ; ADC: 2,000,000
Zero stability error	TKspn < ± 6 ppm//K
Sensitivity (internal)	0.3 μV / d
Input voltage	-30 to +30mV DC
Power	100~240VAC @ 50/60Hz
Power Consumption	5W @9VDC
Operating Temp.	14 °F to 104 °F (-10 °C to +40 °C) ≤90%RH
Weight	4.3 lbs (1.95 kg)
Internal Resolution	24 bit A/D Sigma-Delta; 1,048,000 d
Display Resolution	120,000 dd industrial; 10,000 dd HB44
Display Increment	Selectable 1, 2, 5, 10, 20, 50
Decimal Point	Selectable 0, 1, 2, 3, 4 decimal places
Conversion Rate	12 samples/second typical
Analog Signal Input Range	1mV/V to 3mV/V
Analog Signal Sensitivity	0.1 uV/graduation (min)
Measurement Rate	0~15mV
Auto Zero Tracking	0 - 5 dd increments
Auto Zero Delay	0 - 3 second increments
Motion Detect	1 - 10 dd
Motion Delay	0 - 55 dd

## APPROVALS:



Class 1 Division 1



nmax = 10,000 Class III/IIIL



**SAFE  
AREA**

Optional  
Setpoint  
Relay

Power  
Supply



Optional  
RS 232  
20mA  
4-20mA



Battery



**HAZARDOUS  
AREA**

**SAFE  
AREA**



Junction Box



Scale