



**900B LCD
WASHDOWN**



**900A LED
MILD STEEL**



**900A LED
STAINLESS STEEL**

900 SERIES INDICATOR

Mild steel, Stainless steel or all Stainless steel NEMA 4X Washdown enclosure. Both of these have the options for rechargeable batteries, computer connections, relay outputs and analog outputs. The indicator has multiple weighing units and the standard, gross, tare and zero functions as well as 4 different hold functions. There are 3 weighing modes, Gross, Count and Accumulation and it is NTEP approved for 5,000 divisions. This indicator is user friendly with an easy to read 1" tall ultra bright screen that can handle all your weighing needs.

STANDARD FEATURES:

- Multiple weighing units: (lb/kg/g/oz/lb:oz)
- Gross/Tare/Pre-Set Tare/Zero
- Multiple Hold functions
- Count weighing
- Accumulation weighing
- Overload / Underload alarm
- Power saving mode
- Automatic date and time update
- Ability to modify gravity based on different geographical locations
- 100% manual zero range setting
- Automatic error warning alarm
- Splash proof keyboard and display
- Connects to a remote display
- Connects to multiple printers
- NTEP approved for 5,000 divisions
- Displays up to 50,000 graduations
- 1" LED or LCD display with backlight
- Mounting bracket and Hardware (included)
- Operates on 110V AC adapter (included)
- Full Duplex RS-232 Serial Port
- Drives up to 6 350Ω load cells
- 1 Year Warranty

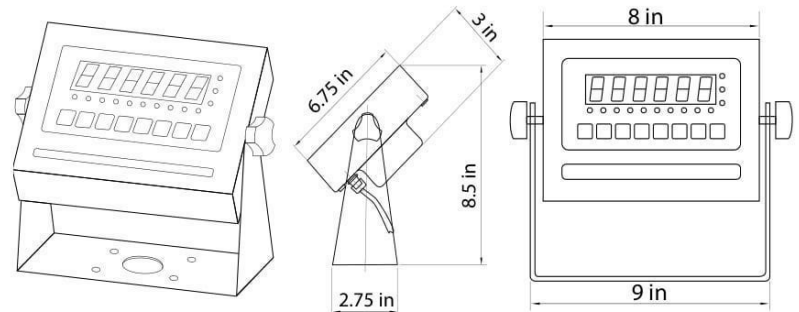
OPTIONAL FEATURES:

- LED or LCD display option
- Stainless steel or mild steel casing
- NEMA 4X Washdown enclosure
- Relay & Analog output
- 6V Rechargeable Battery
- Data Logging Software
- Wireless capability

ACCESSORIES:

- Thermal Ticket Printer
- Label Printer
- Zebra Label Printer
- Remote Display
- Stainless Steel Stand
- Painted Mild Steel Stand
- I/O Card to control external system

DIMENSIONS:



SPECIFICATIONS:

Display	LCD or LED 1-inch x 6-digit numeric
Units	lb, kg (primary); oz, g (secondary)
Accuracy Class	5000 e
Resolution	120,000 dd industrial; 10,000 dd HB44
Excitation Voltage	5V DC
Largest output current	120 mA
Excitation circuit	5 VDC, 4 wire connections
Load Cell	6 load cells of 350 Ω maximum
Load Cell Excitation	5 ± 0.5VDC
Display Resolution	30,000 ; ADC: 2,000,000
Zero stability error	TKspn < ± 6 ppm//K
Sensitivity (internal)	0.3 μV / d
Input voltage	-30 to +30mV DC
Power	100~240VAC @ 50/60Hz
Power Consumption	5W @9VDC
Operating Temp.	14 °F to 104 °F (-10 °C to +40 °C) ≤90%RH
Weight	4.3 lbs (1.95 kg)
Internal Resolution	24 bit A/D Sigma-Delta; 1,048,000 d
Display Resolution	120,000 dd industrial; 10,000 dd HB44
Display Increment	Selectable 1, 2, 5, 10, 20, 50
Decimal Point	Selectable 0, 1, 2, 3, 4 decimal places
Conversion Rate	12 samples/second typical
Analog Signal Input Range	1mV/V to 3mV/V
Analog Signal Sensitivity	0.1 uV/graduation (min)
Measurement Rate	0~15mV
Auto Zero Tracking	0 - 5 dd increments
Auto Zero Delay	0 - 3 second increments
Motion Detect	1 - 10 dd
Motion Delay	0 - 55 dd

APPROVALS:



nmax = 10,000 Class III/IIIL