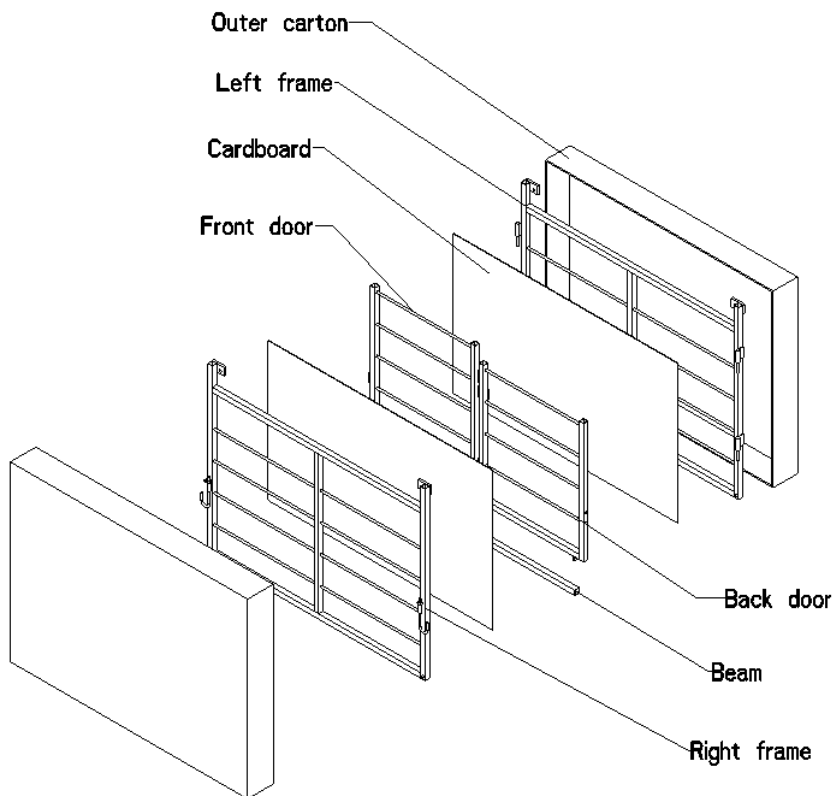




USA Measurements
"We Outmeasure the Competition"

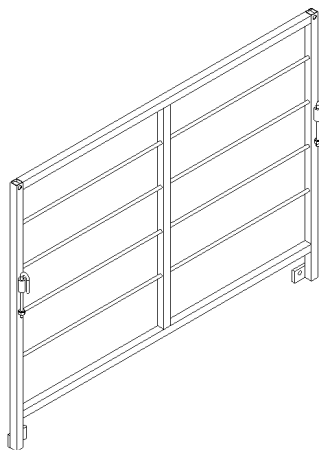
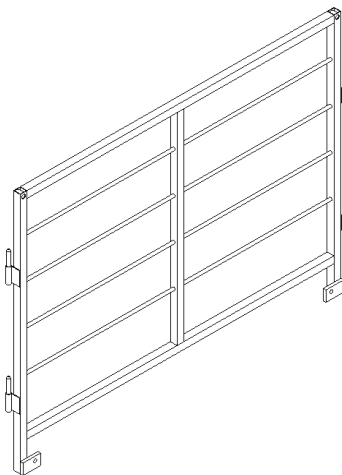
US-LS5520-CAGE Assembly Instruction

1. Open the outer carton of the cage.

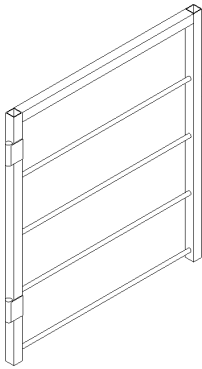


Left frame

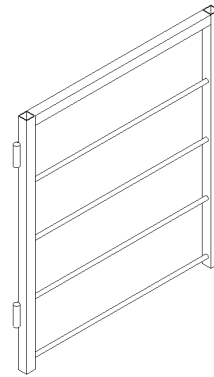
Right frame



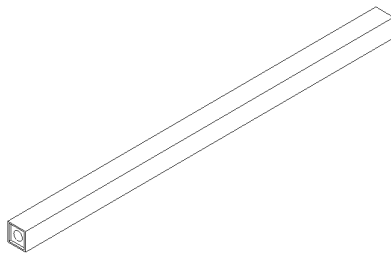
Front door



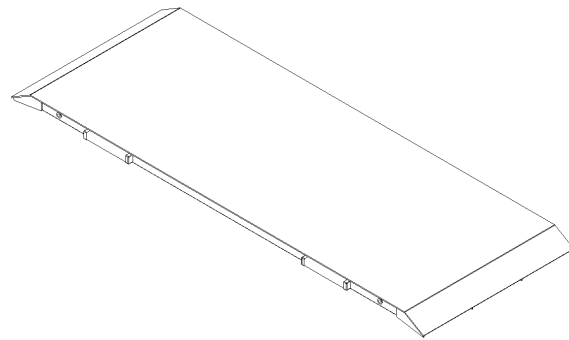
Back door



Beam

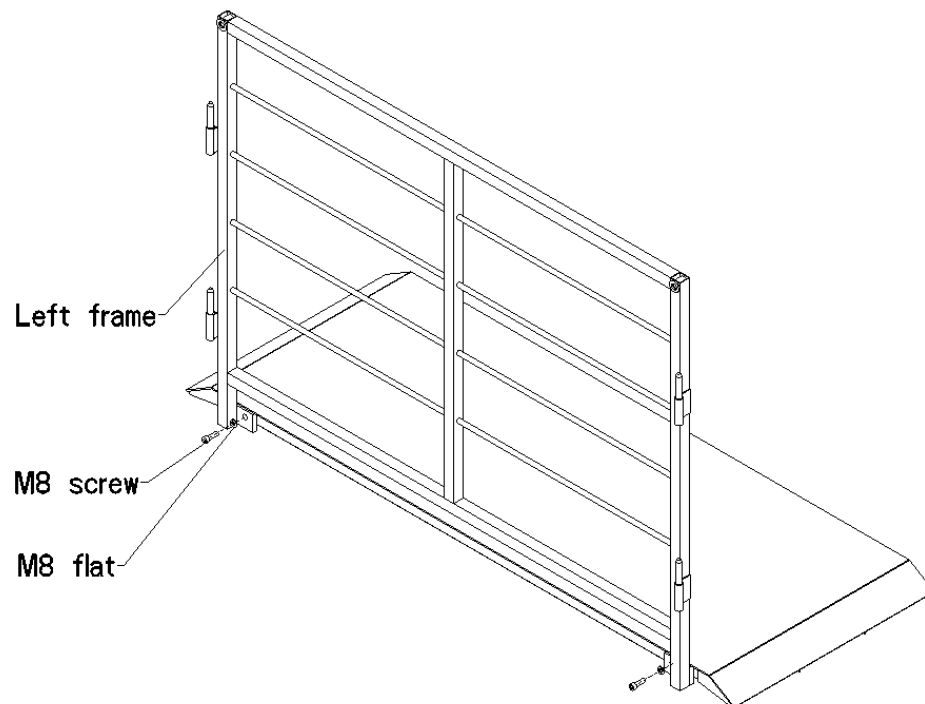


Scale body



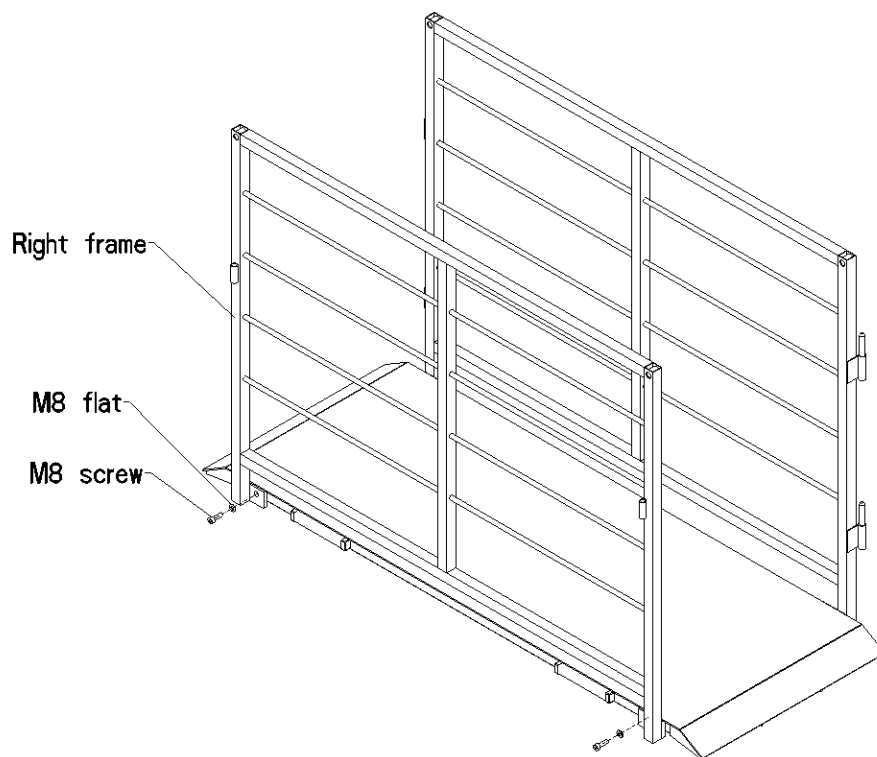
2. Place the left frame like below, using M8 flat washers and screws to fix in on the scale body.

Note: Do not fasten tight the screws now.

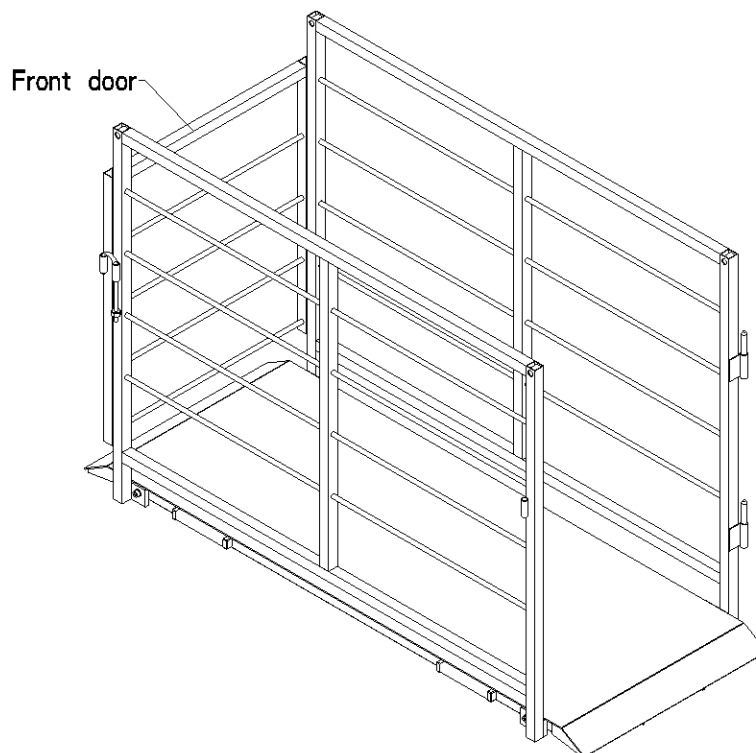


3. Place the right frame like below, using M8 flat washers and screws to fix in on scale body.

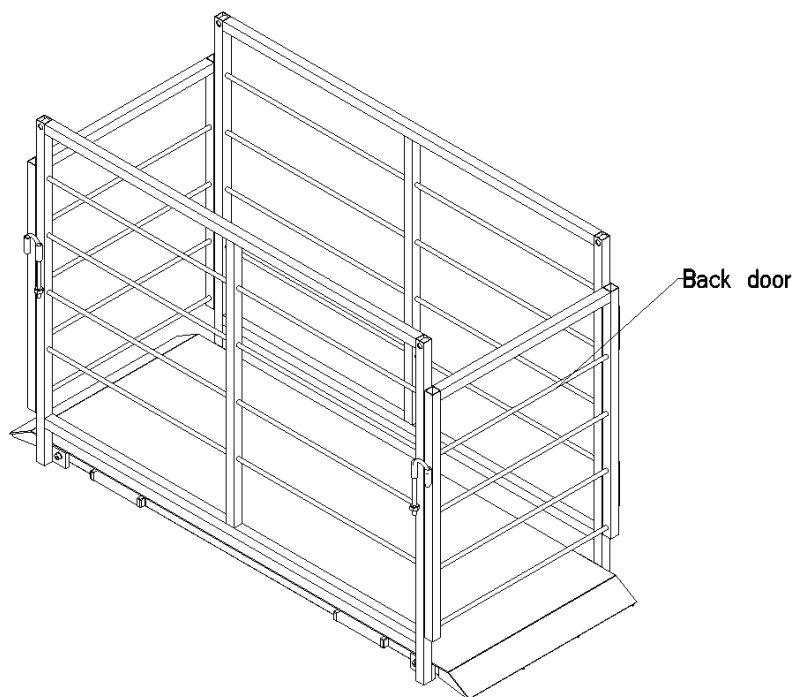
Note: Do not fasten tight the screws now.



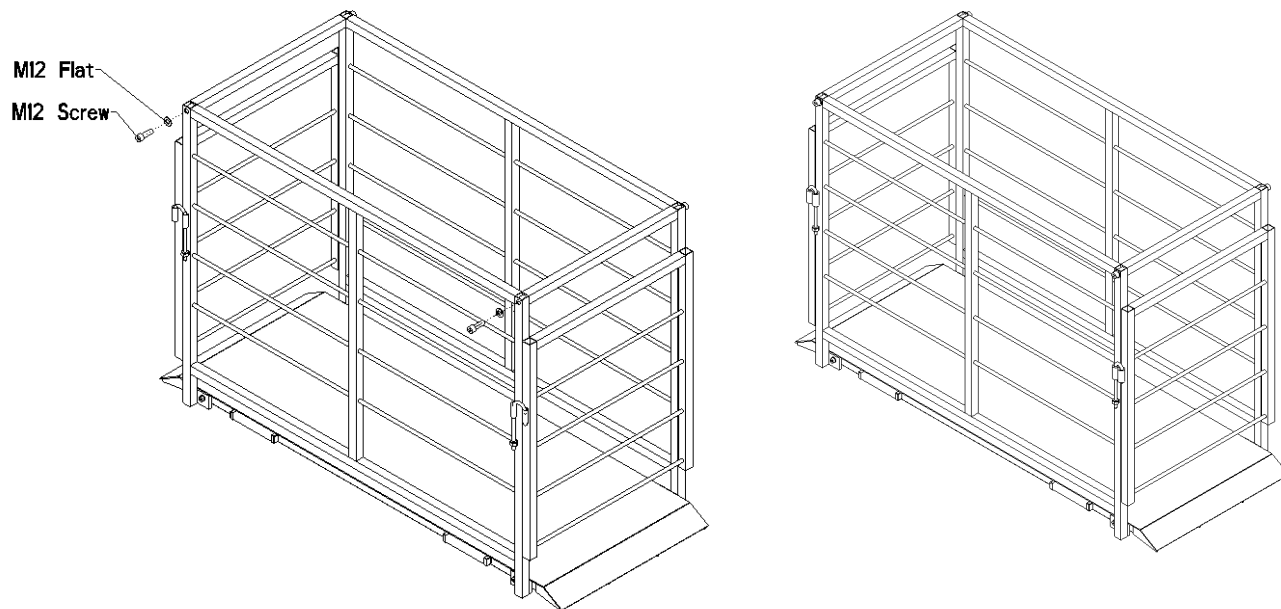
4. Then assembly the front door by inserting the hinge to the left frame.



5. Assembly the back door by inserting the hinge to the left frame.



6. Using M12 flat washers and screws to fix the beam between the left and right frame. Then, fasten tight the two sides frame with wrench.



7. Assembly finish.