

RAVAS-100 Series

Pallet jack scale with basic scale functions



BENEFITS

- The RAVAS work horse
- All basic scale functions
- Competitive pricing
- Low power consumption
- For checking incoming goods and shipping weights

Top quality
For industrial use



RAVAS-110

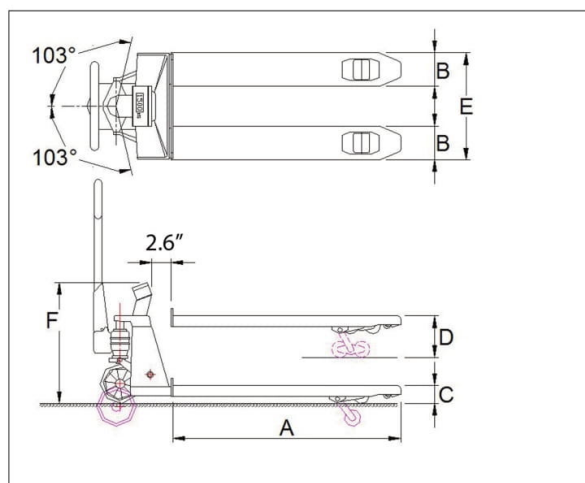
FUNCTIONS

- Automatic and manual zero correction
- Gross/net weighing
- Totalling with sequence number
- Error messages in display
- Auto shut off after 3 minutes of non-use
- Low battery warning in display

STANDARD SPECIFICATIONS

- Weighing capacity 5,000 lb
- Graduation 2 lb
- Max. inaccuracy 0.1% of the load lifted
- Display LCD, digit height 0.7 inch
- Keypad 3 function keys, on/off button
- Protection class NEMA 4 / IP65
- Steering wheels rubber
- Loading wheels polyurethane, single
- Finishing / Color epoxy coated / red, RAL3000
- Own weight 235 lb
- Power supply 4 x 1.5V AA-batteries in battery drawer
- Battery life one year, when used 5 times a day
- Pump quick lift

DIMENSIONS IN INCHES



Standard

A	Fork length	48
B	Fork width	7.1
C	Minimum fork height	3.0
	Ground clearance	0.7
D	Maximum fork height	7.9
	Lifting height	4.8
E	Width over forks	27.2
F	Height to top indicator	25.5



OPTIONS*

- Integrated thermal printer
- Stainless steel chassis with polymer housing
- Width over forks 22 inch
- Foot brake
- Polyurethan steering wheels
- Nylon steering wheels

 **Prime USA Scales**
"Best Scale at the Best Price"

* The use of options may change related specifications. Changes reserved rev.20210415