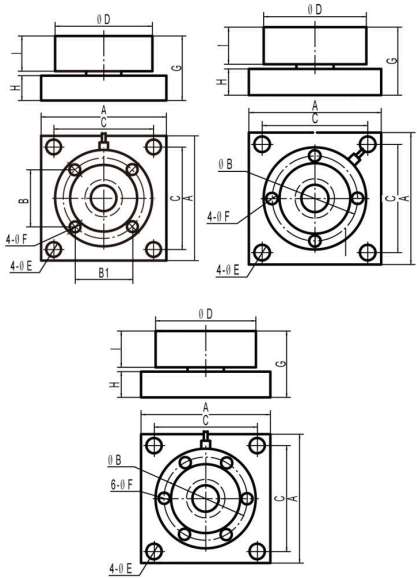


WEIGHING ASSEMBLIES, NICKEL PLATED ALLOY | IP67



CAPACITY
ALLOY STEEL
5,000 lbs
10,000 lbs
15,000 lbs
20,000 lbs
25,000 lbs
35,000 lbs
50,000 lbs
60,000 lbs
75,000 lbs
100,000 lbs
150,000 lbs
200,000 lbs
250,000 lbs
300,000 lbs
400,000 lbs
450,000 lbs



RATED CAPACITY	DIMENSIONS									
	A	B	C	D	E	F	G	H	I	J
lb/inches										
5K-10K lbs	4.00	2.00	3.25	3.50	0.40	3/8-16	1.35	0.375	0.75	N/A
15K lbs	4.00	2.00	3.25	3.50	0.40	3/8-16	1.60	0.625	0.75	N/A
20K-50K lbs	7.00	3.75	5.50	6.00	0.63	1/2-13	2.48	0.75	1.30	1/2-14NPT
60K-100K lbs	8.00	4.25	6.50	7.00	0.81	3/4-16	2.50	1.00	1.30	1/2-14NPT
150K-200K lbs	10.00	7.83	8.00	9.00	1.10	1-14	4.75	2.00	1.70	1/2-14NPT
250K-450K lbs	11.00	7.75	9.00	9.00	1.30	7/8-14	6.42	3.00	2.25	1/2-14NPT
kg/mm										
2,268-4,536 kg	101.60	50.80	82.55	88.90	10.16	3/8-16	34.29	9.53	19.05	N/A
6,804 kg	101.60	50.80	82.55	88.90	10.16	3/8-16	40.64	15.88	19.05	N/A
9,072-22,680 kg	177.80	95.25	139.70	152.40	16.00	1/2-13	62.99	19.05	33.02	1/2-14NPT
27,216-45,360 kg	203.20	107.95	165.10	177.80	20.57	3/4-16	63.50	25.40	33.02	1/2-14NPT
68,040-90,720 kg	254.00	198.88	203.20	228.60	27.94	1-14	120.65	50.80	43.18	1/2-14NPT
113,400-204,120 kg	279.40	196.85	228.60	228.60	33.02	7/8-14	163.09	76.20	57.15	1/2-14NPT

LOAD CELLS/WEIGH MODULES

SPECIFICATIONS

Rated Capacity:

lbs: 5K/10K/15K/20K/25K/35K/50K/60K/75K/100K/150K/200K/250K/300K/400K/450K

Rated Output:

4.0mV/V

Load Cell Resistance:

350 OHMS

Load Cell Cable:

Standard Cable
60ft/18m

Safe Overload:

150% F.S

Destructive Load:

300% F.S

Excitation Recommended:

10-15V AC/DC

Operation Temperature:

-20°C - 60°C (-4°F - 104°F)

Construction:

Load Cell: Alloy Steel
Module: Alloy Steel