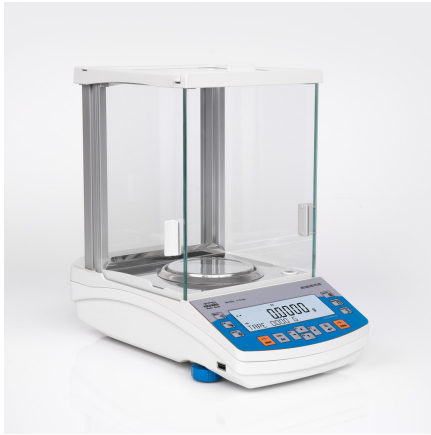


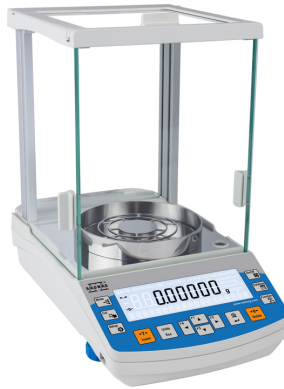


AS 310.R2 PLUS Analytical Balance, AS 62.R2 PLUS Analytical Balance, AS 520.R2 PLUS Analytical Balance, AS 60/220.R2 PLUS Analytical Balance, AS 82/220.R2 PLUS Analytical Balance, AS 120.R2 PLUS Analytical Balance, AS 220.R2 PLUS Analytical Balance

More information on the website
radwag.com/en/info,w1,NQ5



AS 310.R2 PLUS Analytical Balance
AS 520.R2 PLUS Analytical Balance
AS 220.R2 PLUS Analytical Balance



AS 62.R2 PLUS Analytical Balance
AS 60/220.R2 PLUS Analytical Balance
AS 82/220.R2 PLUS Analytical Balance
AS 120.R2 PLUS Analytical Balance

The drawings, photos and graphics used are for illustrative purposes only.

Functions



Autotest:
- AS 60/220.R2 PLUS Analytical Balance
- AS 82/220.R2 PLUS Analytical Balance
- AS 220.R2 PLUS Analytical Balance
- AS 310.R2 PLUS Analytical Balance
- AS 520.R2 PLUS Analytical Balance



Dosing:
- AS 60/220.R2 PLUS Analytical Balance
- AS 82/220.R2 PLUS Analytical Balance
- AS 220.R2 PLUS Analytical Balance
- AS 310.R2 PLUS Analytical Balance
- AS 520.R2 PLUS Analytical Balance



Percent Weighing:
- AS 60/220.R2 PLUS Analytical Balance
- AS 82/220.R2 PLUS Analytical Balance
- AS 220.R2 PLUS Analytical Balance
- AS 310.R2 PLUS Analytical Balance
- AS 520.R2 PLUS Analytical Balance



Totalizing:
- AS 60/220.R2 PLUS Analytical Balance
- AS 82/220.R2 PLUS Analytical Balance
- AS 220.R2 PLUS Analytical Balance
- AS 310.R2 PLUS Analytical Balance
- AS 520.R2 PLUS Analytical Balance



Parts counting:
- AS 60/220.R2 PLUS Analytical Balance
- AS 82/220.R2 PLUS Analytical Balance
- AS 220.R2 PLUS Analytical Balance
- AS 310.R2 PLUS Analytical Balance
- AS 520.R2 PLUS Analytical Balance



Peak hold:
- AS 60/220.R2 PLUS Analytical Balance
- AS 82/220.R2 PLUS Analytical Balance
- AS 220.R2 PLUS Analytical Balance
- AS 310.R2 PLUS Analytical Balance
- AS 520.R2 PLUS Analytical Balance



Newton unit measurement:
- AS 60/220.R2 PLUS Analytical Balance
- AS 82/220.R2 PLUS Analytical Balance
- AS 220.R2 PLUS Analytical Balance
- AS 310.R2 PLUS Analytical Balance
- AS 520.R2 PLUS Analytical Balance



Statistics:
- AS 60/220.R2 PLUS Analytical Balance
- AS 82/220.R2 PLUS Analytical Balance
- AS 220.R2 PLUS Analytical Balance
- AS 310.R2 PLUS Analytical Balance
- AS 520.R2 PLUS Analytical Balance



Checkweighing:
- AS 60/220.R2 PLUS Analytical Balance
- AS 82/220.R2 PLUS Analytical Balance
- AS 220.R2 PLUS Analytical Balance
- AS 310.R2 PLUS Analytical Balance
- AS 520.R2 PLUS Analytical Balance



Under-pan weighing:
- AS 60/220.R2 PLUS Analytical Balance
- AS 82/220.R2 PLUS Analytical Balance
- AS 220.R2 PLUS Analytical Balance
- AS 310.R2 PLUS Analytical Balance
- AS 520.R2 PLUS Analytical Balance



GLP Procedures:
- AS 60/220.R2 PLUS Analytical Balance
- AS 82/220.R2 PLUS Analytical Balance
- AS 220.R2 PLUS Analytical Balance
- AS 310.R2 PLUS Analytical Balance
- AS 520.R2 PLUS Analytical Balance



Animal weighing:
- AS 60/220.R2 PLUS Analytical Balance
- AS 82/220.R2 PLUS Analytical Balance
- AS 220.R2 PLUS Analytical Balance
- AS 310.R2 PLUS Analytical Balance
- AS 520.R2 PLUS Analytical Balance



Density determination:
- AS 60/220.R2 PLUS Analytical Balance
- AS 82/220.R2 PLUS Analytical Balance
- AS 220.R2 PLUS Analytical Balance
- AS 310.R2 PLUS Analytical Balance
- AS 520.R2 PLUS Analytical Balance

Datasheet

	AS 60/220.R2 PLUS Analytical Balance	AS 62.R2 PLUS Analytical Balance	AS 82/220.R2 PLUS Analytical Balance
Metrological parameters			
Maximum capacity [Max]	60 / 220 g	62 g	82 / 220 g
Minimum load	1 mg	1 mg	1 mg
Readability [d]	0,01 / 0,1 mg	0,01 mg	0,01 / 0,1 mg
Verification scale interval [e]	1 mg	1 mg	1 mg
Tare range	-220 g	-62 g	-220 g
Standard repeatability [5% Max]	0,012 mg	0,012 mg	0,012 mg
Standard repeatability [Max]	0,08 mg	0,02 mg	0,08 mg
Standard minimum weight (USP)	24 mg	24 mg	24 mg
Standard minimum weight (U=1%, k=2)	2,4 mg	2,4 mg	2,4 mg
Permissible repeatability [5% Max]	0,02 mg	0,02 mg	0,02 mg
Permissible repeatability [Max]	0,1 mg	0,035 mg	0,1 mg
Linearity	±0,05/0,2 mg	±0,05 mg	±0,05/0,2 mg
Stabilization time	2 s	2 s	2 s
Adjustment	internal (automatic)	internal (automatic)	internal (automatic)
OIML Class	I	I	I
Physical parameters			
Leveling system	manual	manual	manual
Display	LCD (backlit)	LCD (backlit)	LCD (backlit)
Protection class	IP 43	IP 43	IP 43
Delivery components	Balance, weighing pan, weighing pan shield, centring ring, bottom cover, power supply, fabric dust cover.	Balance, weighing pan, weighing pan shield, centring ring, bottom cover, power supply, fabric dust cover.	Balance, weighing pan, weighing pan shield, centring ring, bottom cover, power supply, fabric dust cover.
Weighing pan dimensions	ø90 + ø85 (option) mm	ø90 + ø85 (option) mm	ø90 + ø85 (option) mm
Packaging dimensions	545x455x575 mm	545x455x575 mm	545x455x575 mm
Net weight	7 kg	7 kg	7,3 kg
Gross weight	10 kg	11 kg	11 kg
Communication interface			
Communication interface	2xRS232 ¹ , 2xUSB-A (interchangeable), USB-B, Wi-Fi (option)	2xRS232 ¹ , 2xUSB-A (interchangeable), USB-B, Wi-Fi (option)	2xRS232 ¹ , 2xUSB-A (interchangeable), USB-B, Wi-Fi (option)
Electrical parameters			
Power supply	Adapter: 100 – 240V AC 50/60Hz 0,6A; 12V DC 1,2A Balance: 12 – 15V DC 0,4A max	Adapter: 100 – 240V AC 50/60Hz 0,6A; 12V DC 1,2A Balance: 12 – 15V DC 0,4A max	Adapter: 100 – 240V AC 50/60Hz 0,6A; 12V DC 1,2A Balance: 12 – 15V DC 0,4A max
Power consumption max.	3 W	3 W	3 W
Environmental conditions			
Operating temperature	+10 ÷ +40 °C	+10 ÷ +40 °C	+10 ÷ +40 °C

Repeatability is expressed as a standard deviation from 10 weighing cycles. Stabilization time depends on the ambient conditions and the dynamics of weighing pan loading; specified for FAST profile. 1 Barcode scanners, available as weighing instrument accessory, communicate with the instrument via RS232 interface exclusively.

Datasheet

	AS 120.R2 PLUS Analytical Balance	AS 220.R2 PLUS Analytical Balance	AS 310.R2 PLUS Analytical Balance
Metrological parameters			
Maximum capacity [Max]	120 g	220 g	310 g
Minimum load	1 mg	10 mg	10 mg
Readability [d]	0,01 mg	0,1 mg	0,1 mg
Verification scale interval [e]	1 mg	1 mg	1 mg
Tare range	-120 g	-220 g	-310 g
Standard repeatability [5% Max]	0,012 mg	0,07 mg	0,08 mg
Standard repeatability [Max]	0,03 mg	0,08 mg	0,12 mg
Standard minimum weight (USP)	24 mg	140 mg	160 mg
Standard minimum weight (U=1%, k=2)	2,4 mg	14 mg	16 mg
Permissible repeatability [5% Max]	0,02 mg	0,09 mg	0,12 mg
Permissible repeatability [Max]	0,05 mg	0,1 mg	0,15 mg
Linearity	±0,07 mg	±0,2 mg	±0,2 mg
Stabilization time	2 s	2 s	2,5 s
Adjustment	internal (automatic)	internal (automatic)	internal (automatic)
OIML Class	I	I	I
Physical parameters			
Leveling system	manual	manual	manual
Display	LCD (backlit)	LCD (backlit)	LCD (backlit)
Protection class	IP 43	IP 43	IP 43
Delivery components	Balance, weighing pan, weighing pan shield, centring ring, bottom cover, power supply, fabric dust cover.	Balance, weighing pan, weighing pan shield, bottom cover, power supply.	Balance, weighing pan, weighing pan shield, bottom cover, power supply.
Weighing pan dimensions	ø90 + ø85 (option) mm	ø100 mm	ø100 mm
Packaging dimensions	495×400×515 mm	495×400×515 mm	495×400×515 mm
Net weight	7,3 kg	7,3 kg	7,3 kg
Gross weight	9,3 kg	9,3 kg	9,3 kg
Communication interface			
Communication interface	2×RS232 ¹ , 2×USB-A (interchangeable), USB-B, Wi-Fi (option)	2×RS232 ¹ , 2×USB-A (interchangeable), USB-B, Wi-Fi (option)	2×RS232 ¹ , 2×USB-A (interchangeable), USB-B, Wi-Fi (option)
Electrical parameters			
Power supply	Adapter: 100 – 240V AC 50/60Hz 0,6A; 12V DC 1,2A Balance: 12 – 15V DC 0,4A max	Adapter: 100 – 240V AC 50/60Hz 0,6A; 12V DC 1,2A Balance: 12 – 15V DC 0,4A max	Adapter: 100 – 240V AC 50/60Hz 0,6A; 12V DC 1,2A Balance: 12 – 15V DC 0,4A max
Power consumption max.	3 W	3 W	3 W
Environmental conditions			
Operating temperature	+10 ÷ +40 °C	+10 ÷ +40 °C	+10 ÷ +40 °C

Repeatability is expressed as a standard deviation from 10 weighing cycles. Stabilization time depends on the ambient conditions and the dynamics of weighing pan loading; specified for FAST profile. 1 Barcode scanners, available as weighing instrument accessory, communicate with the instrument via RS232 interface exclusively.

Datasheet

	AS 520.R2 PLUS Analytical Balance
Metrological parameters	
Maximum capacity [Max]	520 g
Minimum load	-
Readability [d]	0,1 mg
Verification scale interval [e]	-
Tare range	-520 g
Standard repeatability [5% Max]	0,08 mg
Standard repeatability [Max]	0,25 mg
Standard minimum weight (USP)	160 mg
Standard minimum weight (U=1%, k=2)	16 mg
Permissible repeatability [5% Max]	0,12 mg
Permissible repeatability [Max]	0,4 mg
Linearity	±0,6 mg
Stabilization time	2,5 s
Adjustment	internal (automatic)
OIML Class	-
Physical parameters	
Leveling system	manual
Display	LCD (backlit)
Protection class	IP 43
Delivery components	Balance, weighing pan, weighing pan shield, bottom cover, power supply.
Weighing pan dimensions	ø100 mm
Packaging dimensions	495×400×515 mm
Net weight	7,3 kg
Gross weight	9,3 kg
Communication interface	
Communication interface	2×RS232 ¹ , 2×USB-A (interchangeable), USB-B, Wi-Fi (option)
Electrical parameters	
Power supply	Adapter: 100 – 240V AC 50/60Hz 0,6A; 12V DC 1,2A Balance: 12 – 15V DC 0,4A max
Power consumption max.	3 W
Environmental conditions	
Operating temperature	+10 ÷ +40 °C

Repeatability is expressed as a standard deviation from 10 weighing cycles. Stabilization time depends on the ambient conditions and the dynamics of weighing pan loading; specified for FAST profile. 1 Barcode scanners, available as weighing instrument accessory, communicate with the instrument via RS232 interface exclusively.

* Wi-Fi® is a registered trademark of Wi-Fi® Alliance.



Accessories

Antivibration Tables
Holders for laboratory flasks

Displays
Protective cover for balances

Barcode scanners
 Cigarette lighter receptacle power supply cables
 Density determination KIT
 USB cable (scale - printer)
 Professional weighing table
 Holders for test tubes and filters
 Workstation for Pipettes Calibration
 Power Adapters

Weighing dishes
 Antistatic ionizer
 Receipt Printer
 RPANEL BOX
 RS 232, RS 485 cables
 Under-Pan Weighing Rack
 RS 232 cables (scale - printer)
 Under-pan weighing

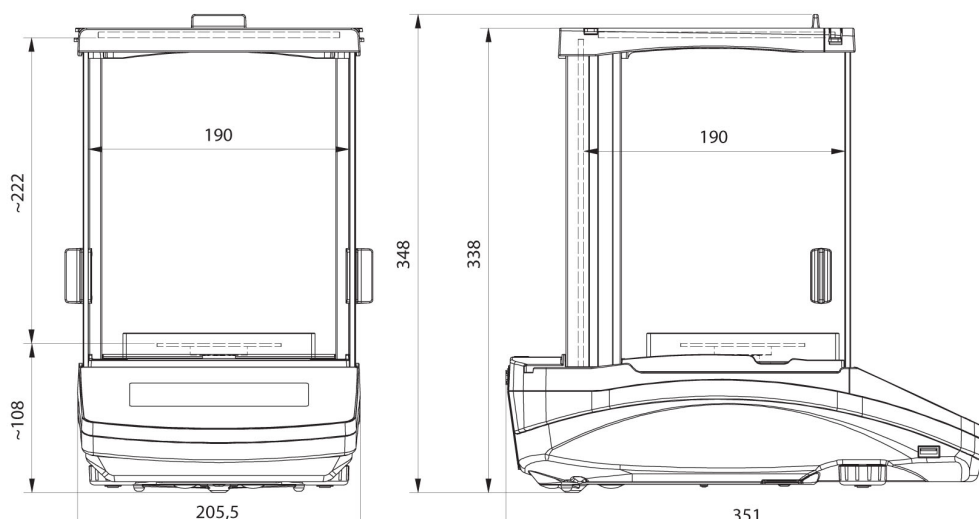
Software

RAD-KEY
 R Panel
 R-LAB
 E2R System

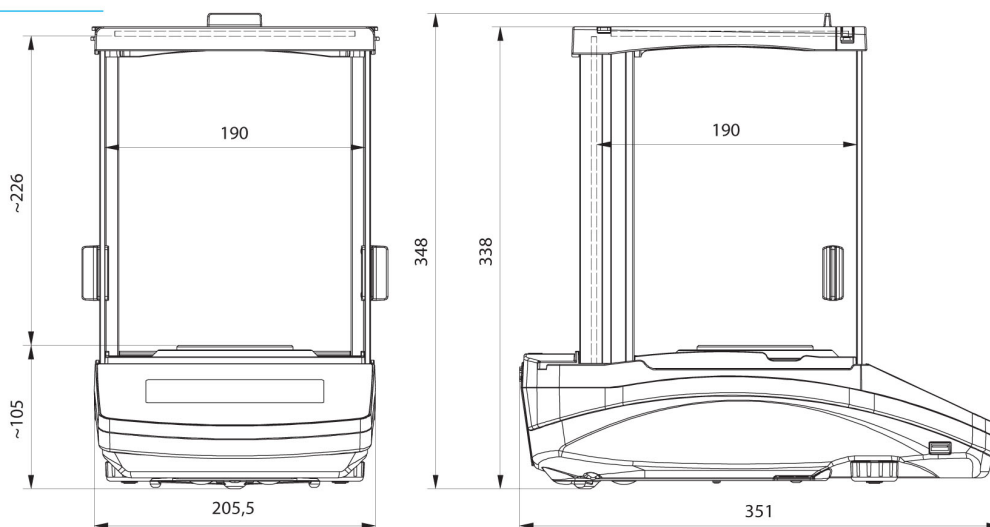
LabVIEW Driver
 Alibi Reader
 RADWAG Development Studio
 R.Barcode

Device dimensions

AS 310.R2 PLUS Analytical Balance, AS 62.R2 PLUS Analytical Balance, AS 520.R2 PLUS Analytical Balance, AS 60/220.R2 PLUS Analytical Balance, AS 82/220.R2 PLUS Analytical Balance, AS 120.R2 PLUS Analytical Balance, AS 220.R2 PLUS Analytical Balance



AS R2, d = 0.01 mg



AS R2, AS R1 d = 0.1 mg