



SAL/STONE/H Stainless Steel Antivibration Table, SA/APP/C - Anti-Vibration Table for Mass Comparators, SAL/STONE/C Antivibration Table, SA/APP/H Anti-Vibration Table for Mass Comparators stainless steel

More information on the website  
radwag.com/en/info,w1,JDL



SAL/STONE/H Stainless Steel Antivibration Table



SA/APP/C - Anti-Vibration Table for Mass Comparators



SAL/STONE/C Antivibration Table



SA/APP/H Anti-Vibration Table for Mass Comparators stainless steel

The drawings, photos and graphics used are for illustrative purposes only.

## Datasheet

	SAL/STONE/C Antivibration Table	SAL/STONE/H Stainless Steel Antivibration Table	SA/APP/C - Anti-Vibration Table for Mass Comparators
<b>Construction</b>			
<b>Construction</b>	mild steel St3S	stainless steel	mild steel St3S
<b>Load-bearing capacity</b>	150 kg	150 kg	150 kg
<b>Physical parameters</b>			
<b>Packaging dimensions</b>	1000×650×815 mm	1000×650×815 mm	710×470×225 mm
<b>Net weight</b>	215 kg (table 25 + stone 190)	215 kg (table 25 + stone 190)	128 kg (table 8 + stone 120)
<b>Gross weight</b>	~225 kg	~225 kg	150 kg
<b>Length</b>	1000 mm	1000 mm	710 mm
<b>Width</b>	650 mm	650 mm	470 mm
<b>Height</b>	815 mm	815 mm	225 mm

# Datasheet

	SA/APP/H Anti-Vibration Table for Mass Comparators stainless steel
<b>Construction</b>	
<b>Construction</b>	stainless steel
<b>Load-bearing capacity</b>	150 kg
<b>Physical parameters</b>	
<b>Packaging dimensions</b>	710×470×225 mm
<b>Net weight</b>	128 kg (table 8 + stone 120)
<b>Gross weight</b>	150 kg
<b>Length</b>	710 mm
<b>Width</b>	470 mm
<b>Height</b>	225 mm



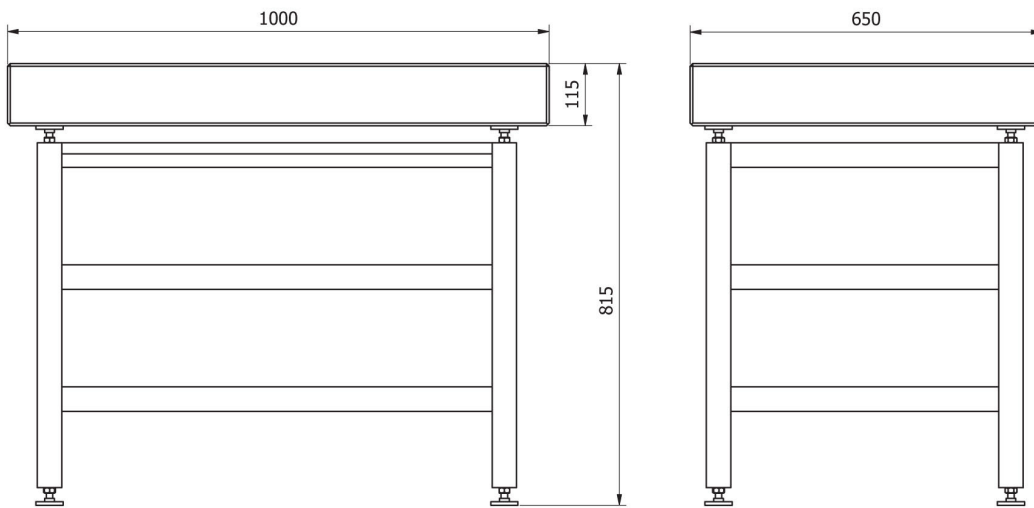
## Compatible with

H315 HR Waterproof Platform Scale  
MUYA Modules  
MAS1 Modules  
XA 5Y.M.A.P Microbalance  
WPY Multifunctional Scale  
Microbalance for Pipette Calibration MYA 5Y.P  
C315 Platform scale  
5Y PM Precision Balance  
Microbalance for Filters MYA 5Y.F  
PS X2 Precision Balance  
AS X2 PLUS Analytical Balance  
XA 5Y.M.A Microbalance  
WLC Precision Balance  
PS X2 Balances for PGC  
H315 H Waterproof Platform Scale  
MPS Modules  
PM 4Y Precision Balance  
C32 PM Precision Balance  
Automatic Device for Multichannel Pipette Calibration  
XA 5Y.A Analytical Balance  
WAY 5Y.KO Manual Mass Comparator  
UYA 5Y Ultra-Microbalance  
AK-4 Automatic Mass Comparator

PS R2.H Precision Balance  
WLY Precision Balance  
APP 5Y.KO Manual Mass Comparator  
Density Measurement  
WLC C/2 Precision Balance  
MYA 5Y Microbalance  
Susceptometer - Magnetization  
5Y.PM.KB Manual Mass Comparator  
AS R2 PLUS Analytical Balance  
UMA Automatic Mass Comparator  
MYA 5Y Microbalance  
AS X2 PLUS Analytical Balances  
PS R1 Precision Balance  
PMV 5Y Moisture Analyzer  
XA 5Y.KO Manual Mass Comparator  
PS R2 Precision Balance  
MAS Modules  
UYA 5Y.KO Manual Mass Comparator  
AS R1 PLUS Analytical Balances  
Ultra-Microbalance for Filters UYA 5Y.F  
Nano-Comparator NANO.AK-4.500.5Y  
XA 5Y.M.A.S Microbalance

## Device dimensions

SAL/STONE/H Stainless Steel Antivibration Table, SAL/STONE/C Antivibration Table



SAL/STONE

---

SA/APP/C - Anti-Vibration Table for Mass Comparators, SA/APP/H Anti-Vibration Table for Mass Comparators stainless steel

