

### Features

- Interface with Most ECR'S & POS Systems
- Standard RS-232 interface can be connected to Computer, POS and ECR system
- Weighing in Pounds, Kilograms, Ounces(Unit conversion)
- One standards display(Front)
- Low profile and space-efficient product design, ABS plastic housing with durable steel body
- Battery provide up to 110 hours of continuous use (without backlight)
- Internal battery, AC adapter and 5ft/1.5m interface cable included
- Application Mode: POS - Groceries, Yogurt & Ice Cream Shops, Shipping, Mail Counters
- Legal for trade



### General Specifications

- |                  |  |
|------------------|--|
| • Display        | 0.59inch/15mm 6 digit LCD Display with LED Backlight             |
| • Capacity       | 12lb ~ 60lb, 6kg ~ 30kg, 192oz ~ 960oz                           |
| • Platter Size   | 13.5 x 10.4inch/343 x 263mm                                      |
| • Keyboard       | 3keys(Membrane keyboard)   |
| • Housing        | ABS plastic housing with durable steel body, SST Platter         |
| • Max. Divisions | 6,000e   |
| • Temperature    | 14°F ~ 104°F (-10°C ~ +40°C)                                     |
| • Power          | AC adapter (12V/500mA), built-in rechargeable battery (6V/3.2Ah) |

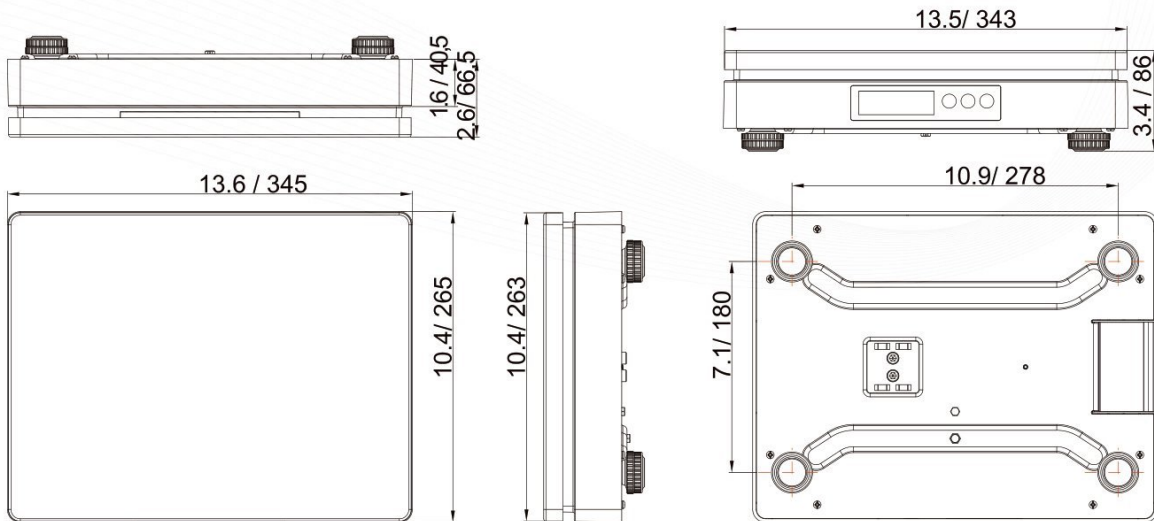
## Interface Scale

Capacity	Readability	Division	Approx. weight
12lb/6kg/192oz	0.002lb/0.001kg/0.05oz	6,000e	10.1lb(4.6kg)
30lb/12kg/480oz	0.005lb/0.002kg/0.1oz	6,000e	10.1lb(4.6kg)
60lb/30kg/960oz	0.01lb/0.005kg/0.2oz	6,000e	10.1lb(4.6kg)

### Options



### Dimensions(inch/mm)



Distributed by

Ver. 1.0