

Features

- Interface with Most ECR'S & POS Systems
- Standard RS-232 interface can be connected to Computer, POS and ECR system
- Weighing in Pounds, Kilograms, Ounces(Unit conversion)
- Two standards display(Front, Pole)
- Low profile and space-efficient product design, ABS plastic housing with durable steel body
- Battery provide up to 110 hours of continuous use (without backlight)
- Internal battery, AC adapter and 5ft/1.5m interface cable included
- Application Mode: POS - Groceries, Yogurt & Ice Cream Shops, Shipping, Mail Counters
- Legal for trade



General Specifications

- | | |
|------------------|--|
| • Display | 0.59inch/15mm 6 digit LCD Display with LED Backlight |
| • Capacity | 12lb ~ 60lb, 6kg ~ 30kg, 192oz ~ 960oz |
| • Platter Size | 13.5 x 10.4inch/343 x 263mm |
| • Keyboard | 3keys(Membrane keyboard) |
| • Housing | ABS plastic housing with durable steel body, SST Platter |
| • Max. Divisions | 6,000e |
| • Temperature | 14°F ~ 104°F (-10°C ~ +40°C) |
| • Power | AC adapter (12V/500mA), built-in rechargeable battery (6V/3.2Ah) |

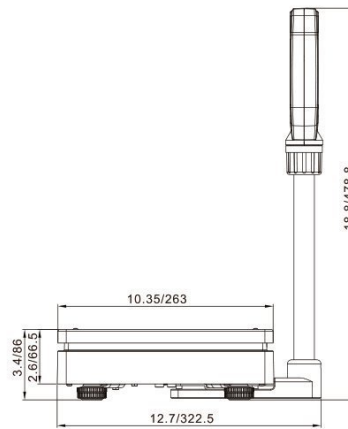
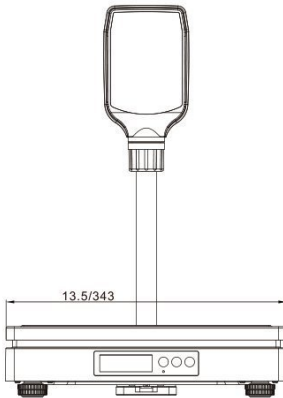
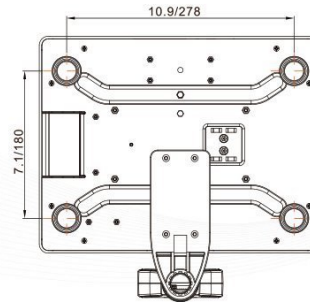
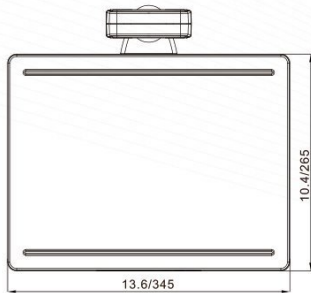
Interface Scale

Capacity	Readability	Division	Approx. weight
12lb/6kg/192oz	0.002lb/0.001kg/0.05oz	6,000e	10.6lb(4.8kg)
30lb/12kg/480oz	0.005lb/0.002kg/0.1oz	6,000e	10.6lb(4.8kg)
60lb/30kg/960oz	0.01lb/0.005kg/0.2oz	6,000e	10.6lb(4.8kg)

Options



Dimensions(inch/mm)



Distributed by

Ver.1.0