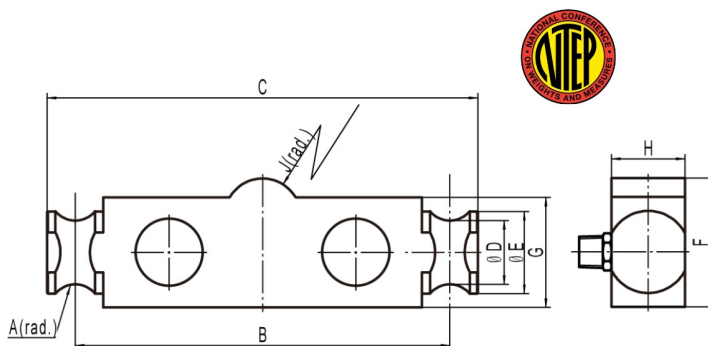


# OP-343 DOUBLE-ENDED BEAM, NICKEL PLATED ALLOY STEEL | IP67



PRICE	
PART#	CAPACITY
OP-343-25	25,000 lbs
OP-343-40	40,000 lbs
OP-343-50	50,000 lbs
OP-343-50-LE	50,000 LE lbs
OP-343-60	60,000 lbs
OP-343-60-LE	60,000 LE lbs
OP-343-75	75,000 lbs
OP-343-75-LE	75,000 LE lbs
OP-343-100	100,000 lbs
OP-343-125	125,000 lbs

RATED CAPACITY	DIMENSIONS									
	A	B	C	D	E	F	G	H	R	J
<b>lb/inches</b>										
25K - 75K lbs	0.50	7.25	8.25	1.63	2.00	2.97	2.44	2.00	0.50	0.50
50K - 75K lbs LE	0.75	10.00	11.50	1.70	2.20	3.47	2.94	2.00	0.75	1.00
100K - 125K lbs	1.00	12.50	14.50	2.44	3.20	4.68	3.86	2.90	1.00	1.00
<b>kg/mm</b>										
11,340-34,020 kg	12.70	184.20	209.55	41.40	50.80	75.40	61.98	50.80	12.70	12.70
22,680-34,020 kg LE	19.05	254.00	292.10	43.18	55.80	88.13	74.68	50.80	19.05	25.40
45,360-56,700 kg	25.40	317.50	368.30	61.98	81.28	118.87	98.04	73.66	25.40	38.10

Note: LE - Large envelope.

## SPECIFICATIONS

### Rated Capacity:

lb: 250K/40K/50K/60K/75K/100K/125K

### Rated Output:

3.0mV/V

### Non-linearity:

±0.03% F.S.

### Hysteresis:

±0.03% F.S.

### Repeatability:

±0.02% F.S.

### Creep (30 minutes):

±0.03% F.S.

### Temperature Effect on Span:

±0.0015% F.S./C

### Temperature Effect on Zero:

±0.0027% F.S./C

### Zero Balance:

±1.00% F.S./C

### Insulation Resistance:

> 5000 MEGOHMS

### Input Impedance:

700±10Ω

### Output Impedance:

700±5Ω

### Safe Overload:

150% F.S.

### Destructive Overload:

300% F.S.

### Excitation Recommended:

10-20V AC/DC

### Material/Finish:

Alloy Steel

### Operation Temperature:

-10°C - + 40°C (14°F - 104°F)

### Cable Length:

STANDARD  
 25K-40K: 40ft/12m  
 DOUBLE-SHIELDED  
 50K-125K: 60ft/18m

### Load Cell Wiring:

Red..... +Excitation  
 Black.....-Excitation  
 Green.....+Signal  
 White.....-Signal

## INTERCHANGEABLE PRODUCTS

Airweigh: **AW900**

Rice Lake: **RL75040**

Totalcomp: **TDE40**

Artech: **80210**

Sensortronics: **65040A**

Coti Global Sensors: **CG-BE40**

Celtron: **DLB**

Thurman: **TSC 840**