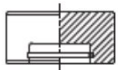
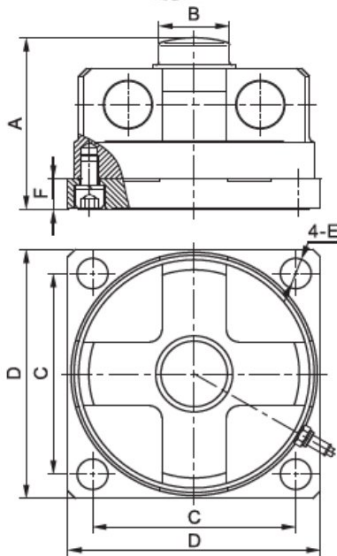
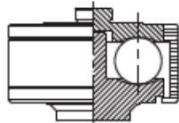




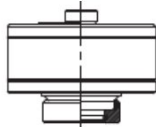
# Cross Bridge Load Cell Model: GF-11A



static load head



dynamic load head



## Material: Alloy Steel

Cross-Bridge load cell, patented by South-Ocean  
It has stronger four-direction side resistance and overload protection capability.

Moisture proof seal, ideal for hostile environment, simple to install and good interchangeability

With triple ball load head, more suitable for various truck scale, hopper scale, and railway scale, ect.

Load cell and its bottom plate are fixed with bolts, it is especially suitable for instinctive calibrated scales.



## Specification

Rated Output (mV/V)	2.00±0.010
Nonlinearity	±0.02%FS
Hysteresis	±0.02%FS
Repeatability	±0.01%FS
Creep(30 minutes)	±0.02%FS
Zero balance	±1.00%FS
Temperature effect on zero	±0.02%FS/10°C
Temperature effect on output	±0.02%FS/10°C
Input resistance (Ω)	765±15
Output resistance (Ω)	700±5
Insulation resistance	≥5000MΩ
Excitation voltage	10V(DC/AC)
Compensated temperature range	-10~+50°C
Operating temperature range	-20~+60°C
Safe overload	120%FS
Cable	Φ5.4*12m
Cable color code	Input: red+ black- Output: green+ white-

Capacity	Size mm							
	t	A	B	C	D	E	F	SR
10-40		104.0	40.0	124.0	158.0	22.0	20.0	76.0
50-70		113.0	46.0	132.0	164.0	24.0	20.0	85.0
100		135.0	48.0	150.0	200.0	28.0	30.0	120.0
150-200		170.0	80.0	200.0	260.0	36.0	30.0	250.0