

HM14H

Rocker column Load cell



New load cell for weighing
Tanks and Silos. **Innovative and
patented product**

HM14H

LOAD CELL

USA Measurements

"We Outmeasure the Competition"

Integrated anti-tipping and anti-rotation system, with easy installation and maintenance of the weighing structure.

Classic design with advanced security

High precision and long-term stability

All-in-one charging structure allows for safe installation and easy to replace
As it is an integrated structure, this load cell solves anti-fall and anti-rotation problems common in compression cells.

Perfect compatibility and easy installation

Satisfies various installation requirements, such as the need for a high-strength structure and the space limit between load cells

Easy maintenance and replacement, saving time and maintenance costs, ensuring great value for money.

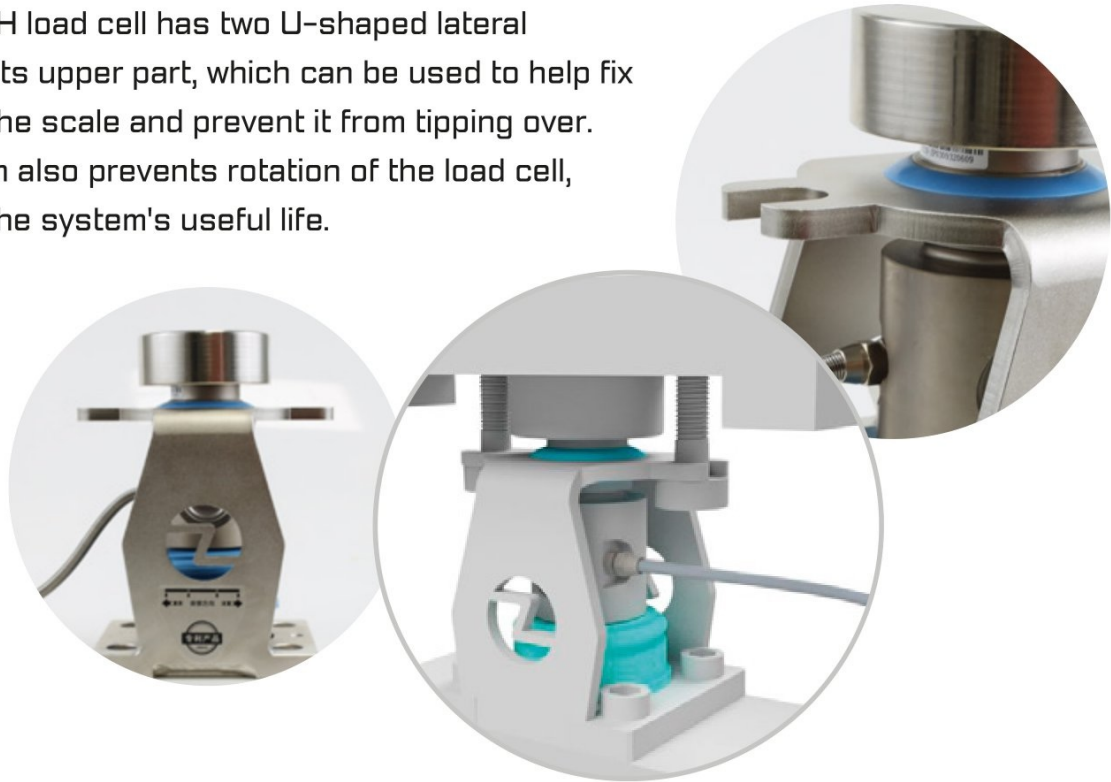
Stability and safety

Proper installation provides better functioning of the scale over time, extends the useful life of the load cell, and also reduces the need for maintenance of the weighing system.

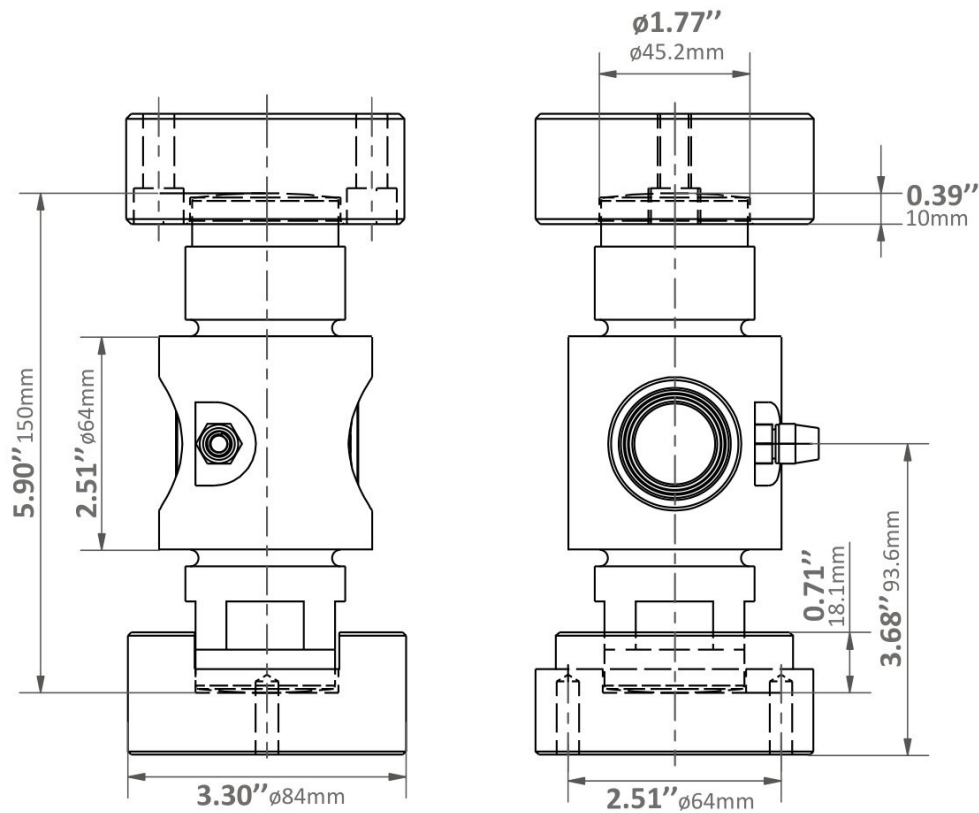


ANTI-ROTATION AND ANTI-TIPPING

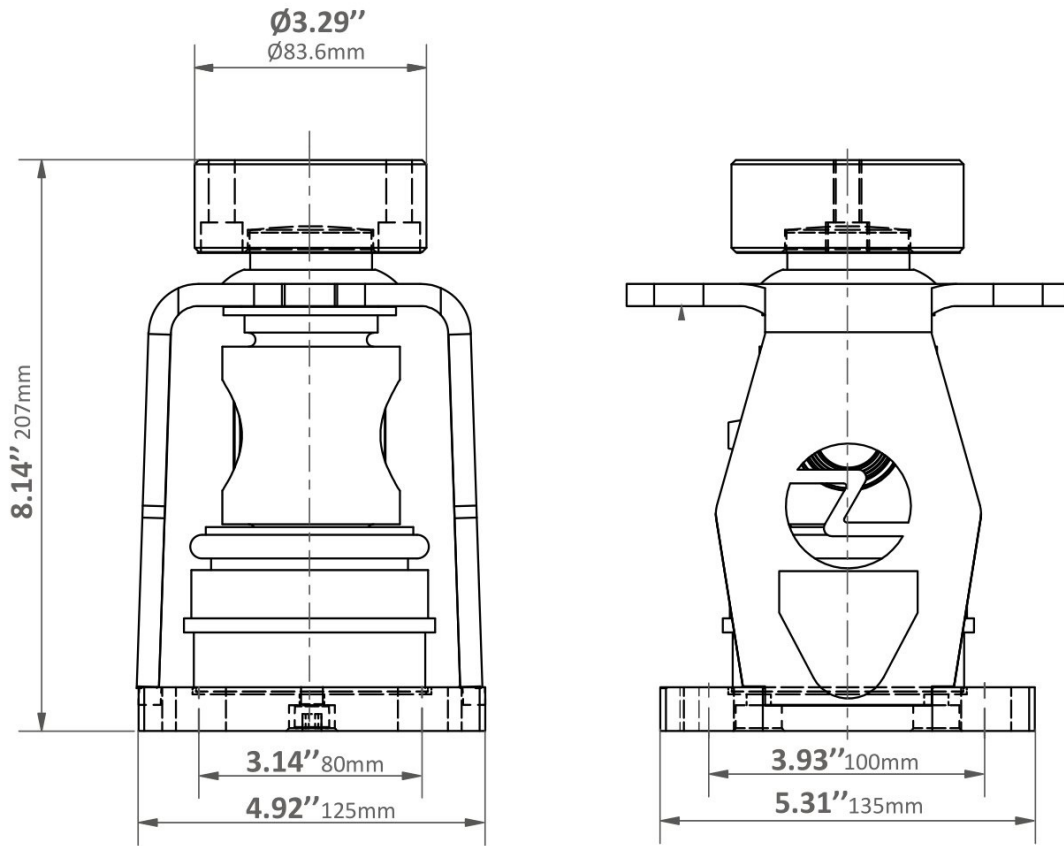
The BHM14H load cell has two U-shaped lateral grooves in its upper part, which can be used to help fix the cell to the scale and prevent it from tipping over. This system also prevents rotation of the load cell, extending the system's useful life.



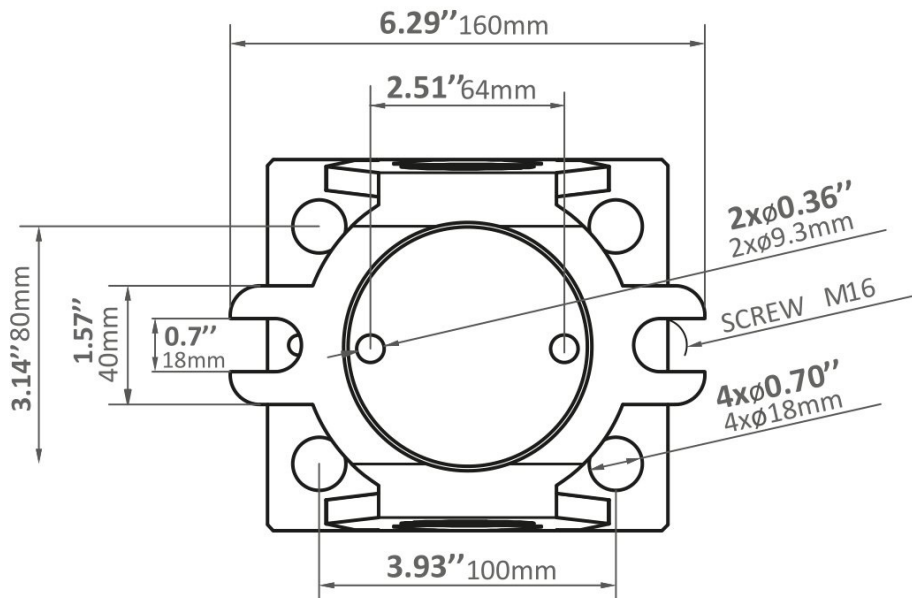
DIMENSIONS LOAD CELL



DIMENSIONS (complete kit)



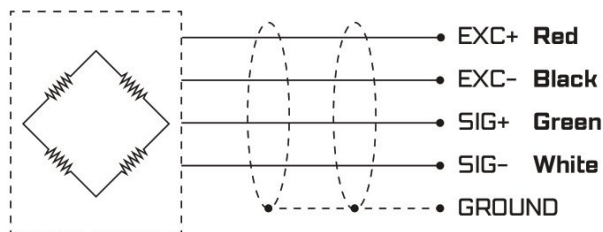
DIMENSIONS (Fixing)



TECHNICAL DATA

Maximum capacity (E_{max})	t	40
Output sensitivity	mV/V	2 ± 0.002
Accuracy class		C3
Combined error	%F.S	0.02
Repeatability	%F.S	0.02
Creep error	%F.S	± 0.025
Temperature effect on zero balance	%F.S /10°C	± 0.015
Temperature effect on sensitivity	%F.S /10°C	± 0.011
Zero balance	%F.S	± 1.0
Input resistance	Ω	750 ± 10
Output resistance	Ω	700 ± 7
Insulation resistance	MΩ	> 5000 (50VDC)
Compensated temperature	°C	-10 to +40
Operating temperature	°C	-35 to +65
Excitation, recommended voltage	V	5 to 12DC
Excitation maximum	V	18DC
Safe overload	%F.S	150
Ultimate overload	%F.S	200
Element material		Alloy steel
Surface treatment		Nickel plated
Ingress protection		IP68
Weight without package	Kg	8.4

WIRING DIAGRAM



PART NUMBER

Products	Capacities	Codes
Load Cell HM14H	40t	14027

FIND US

3915 W Hacienda Ave Suite A117 Las Vegas, NV 89118

sales@usameasurements.com

usameasurements.com

Technical Support (800) 711-2237

Sales: (800) 917-7205