

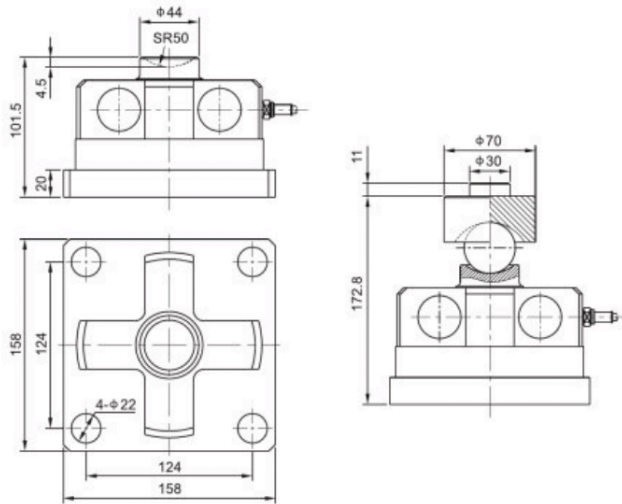


GF-11B

BRIDGE LOAD CELL

Materials: Alloy Steel

Stronger four-direction side force resistance and overload protection capability
 Moistureproof seal, ideal for hostile environment
 Simple to install, good interchangeability
 Suitable for various truck scale, railroad scale, etc.



5-40t

Specifications

Rated Output(mV/V)	2.00±0.005
Nonlinearity	±0.02%FS
Hysteresis	±0.02%FS
Repeatability	±0.01%FS
Creep(30minutes)	±0.02%FS/10
Zero Balance	±1.00%FS
Temperature Effect on Zero	±0.02%FS/10
Temperature Effect on Output	±0.02%FS/10
Input Resistance(Ω)	765±15
Output Resistance(Ω)	700±5
Insulation Resistance	≥5000MΩ
Excitation Voltage	10V(DC/AC)
Compensated Temperature Range	-10℃--+50℃
Operating Temperature Range	-20℃--+60℃
Safe Overload Safe	120%FS
Cable	φ5.4×12m